

18te WLL Hydraulic Drum Winch

18te WLL Winch is designed for use in Lifting, Mooring, and Pulling Applications, and is part of a circulatory rental fleet operating globally.

The drum is directly driven by a 2 speed 50% displacement shift radial piston hydraulic motor. The braking system is automatic, failsafe, and is made up of a combination band brake operating directly on the winch drum (125%), and a disc brake operating on the drivetrain (72%), giving a combined braking capacity of 197% of the 1st Layer WLL.

This configuration allows for flexibility in adjusting the brake effort versus the required SWL via a process of isolating one brake and utilising only the other.

The winch is fitted with a manually operated directional control valve, which can be located locally or remotely (within 10m of the winch).

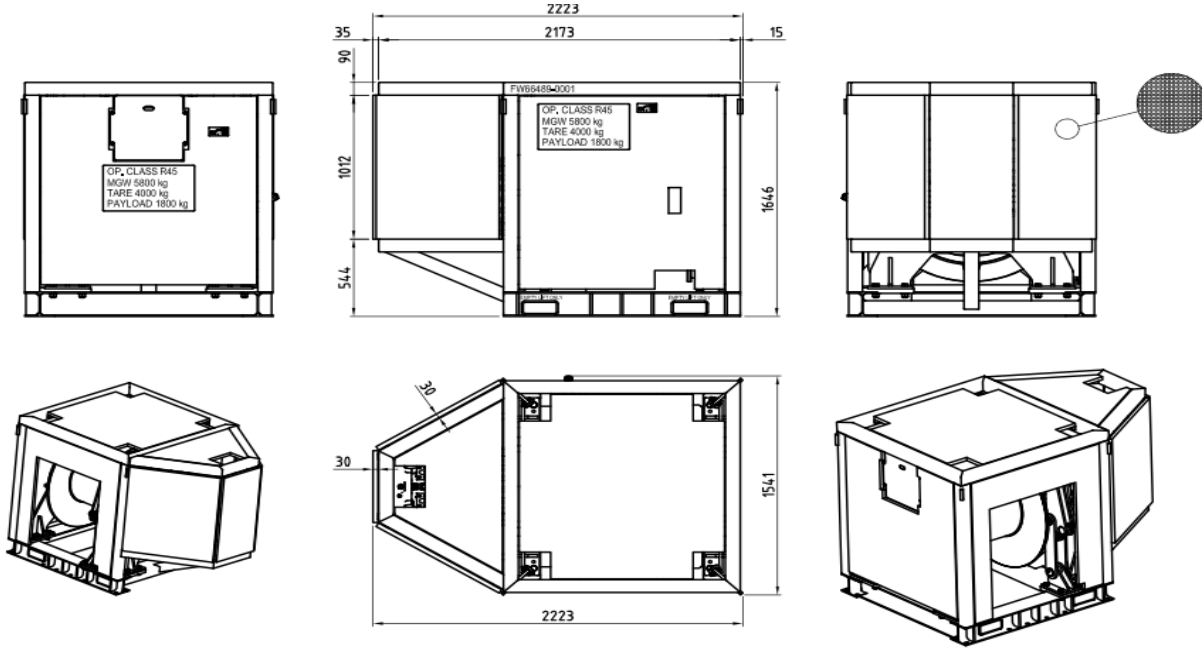
The Winch is CE marked and manufactured to DNV 2.22 October 2013, DNV 2.7-3 Type A R60, is in compliance with the requirements set out under Pressure Directive 97/23/EC, Machinery Directive 2006/42/EC, LOLER 1998 and PUWER 1998, and with the ATEX Directive for use in Zone 1 IIG T4 use.



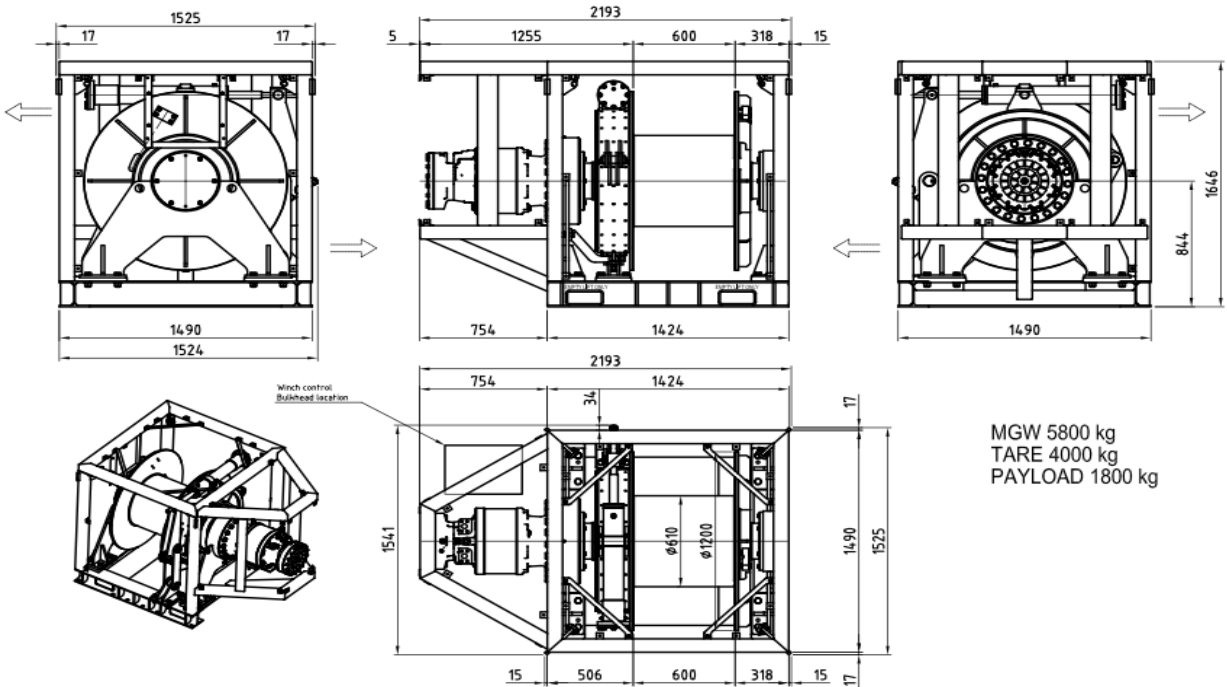
18te WLL Winch Functional Purpose and Capacities Overview	
Constituent	Criteria
Asset ID Number	FWi001-FWi004
Drawing Numbers	20390034/20771117 (Sacrificial Base – where applicable)
Tare Weight	4000Kgs
Payload	1800Kgs
Maximum Gross Weight	5800Kgs
Shipping Dimensions (LxBxH)	2193mm X 1490mm X 1646mm
Footprint Dimensions (LxB)	1424mm X 1490mm
Wire Rope Capacities	350m X 32mm / 483m X 28mm / 682m X 24mm / 1104 X 19mm Wire Rope
First Layer Line Pull (WLL)	18te Low Speed – 9te High Speed
First Layer Line Speed	15m/min Low Speed – 30/min High Speed (Based on 120L/Min Supply)
Brake Hold Capacity (1 st Layer)	220% of relevant maximum layer line pull

Nominal Performance Based on 280 bar X 120L/Min with 32mm Wire Rope						
Layer	Low Speed		High Speed		Brake Hold Load	Accumulated Rope Capacity
1 st Layer	18.0te	15m/mi	9.0te	30m/min	35.5te	37m
Half Drum	14.0te	21m/min	7.0te	42m/min	27.6te	168m
Full Drum	11.0te	27m/min	5.5te	54m/min	21.7te	350m

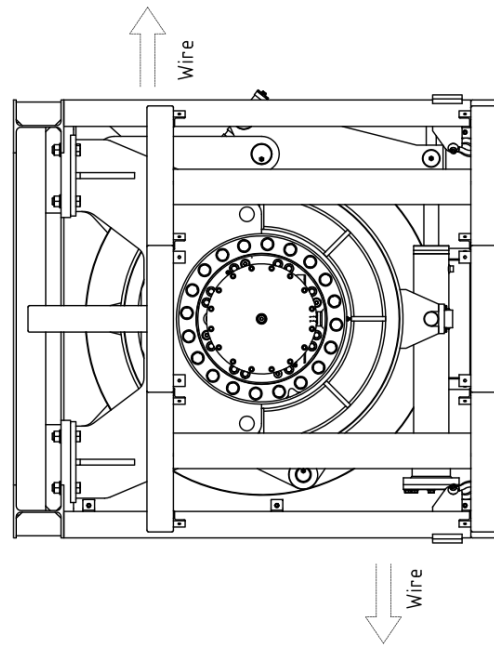
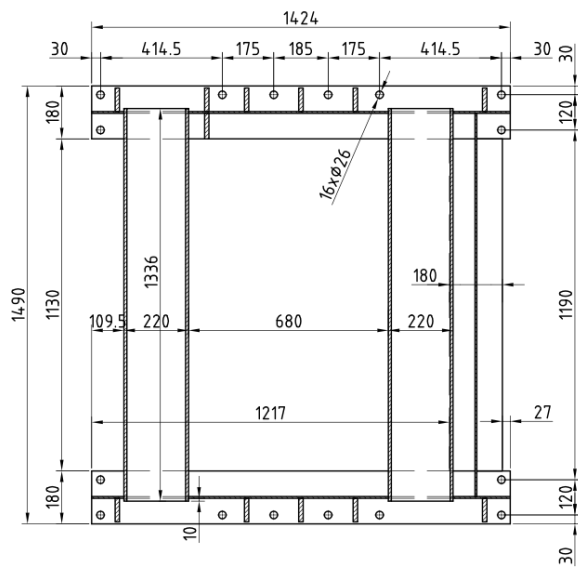
General Assembly Drawings



Guarding Removed for Clarity



Winch Bolt Pattern



Recommended Spare Parts

Quantity	Component
1	Spare Flexible Hose Package comprising of 1X each flexible hose installed on the asset
1	Spare Flexible Hose Package comprising of flexible hoses and suitable fittings designed to replace each hard pipe section installed on the asset
1	Spare Dowty Seal and "O" Ring Package for all fittings, control/Flange assemblies where applicable
1	Hydraulic Motor Seal Kit
1	Spare Spooling Gear Knife (where applicable)
1	Electrical Spares Package (where applicable)
1	Spare Chain Drive (Spooling Gear) c/w spare full and half links